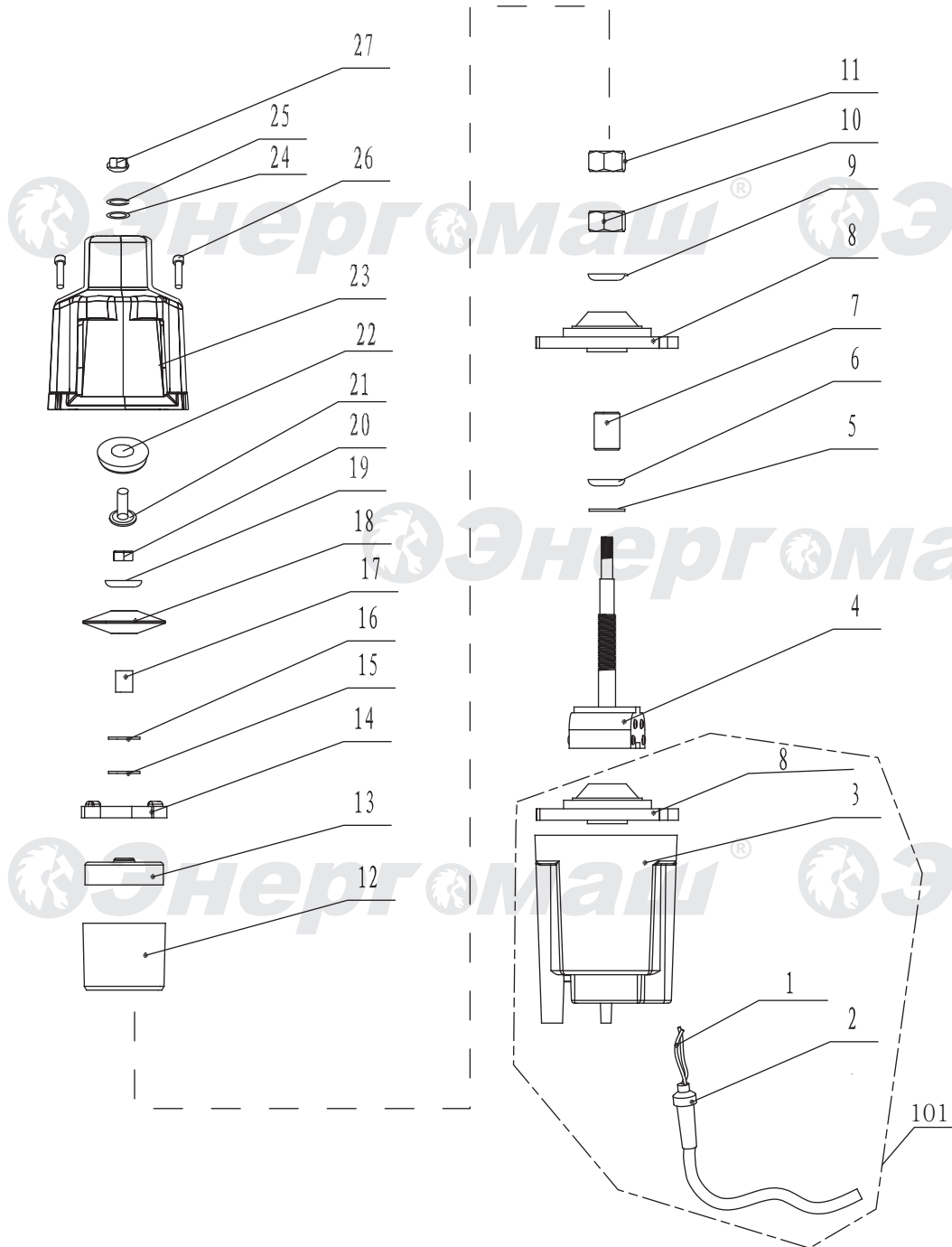


НГ-280H



NO.	DESCRIPTION
1	CORD & PLUG
2	CABLE SLEEVE
3	MOTOR AND HOUSING
4	ROTOR
5	WASHER Ø12
6	ROUND WASHER Ø12
7	SLEEVE
8	BIG RUBBER PLATE
9	ROUND WASHER
10	NUT M12
11	LOCK NUT M12
12	LOCALIZATION HOUSING
13	WATER PROOF COVER
14	LOCALIZATION RING
15	WASHER
16	WASHER
17	SLEEVE FOR IMPELLER
18	WATER IMPELLER
19	ROUND WASHER
20	LOCK NUT M8
21	CHECK VALVE SCREW
22	RUBBER CHECK VALVE
23	PUMP BODY
24	WASHER
25	SPRING WASHER
26	BOLT M8
27	LOCKING NUT M6
101	STATOR ASSEMBLY (1+2+3)

RU-EN20170929 VER:2.1